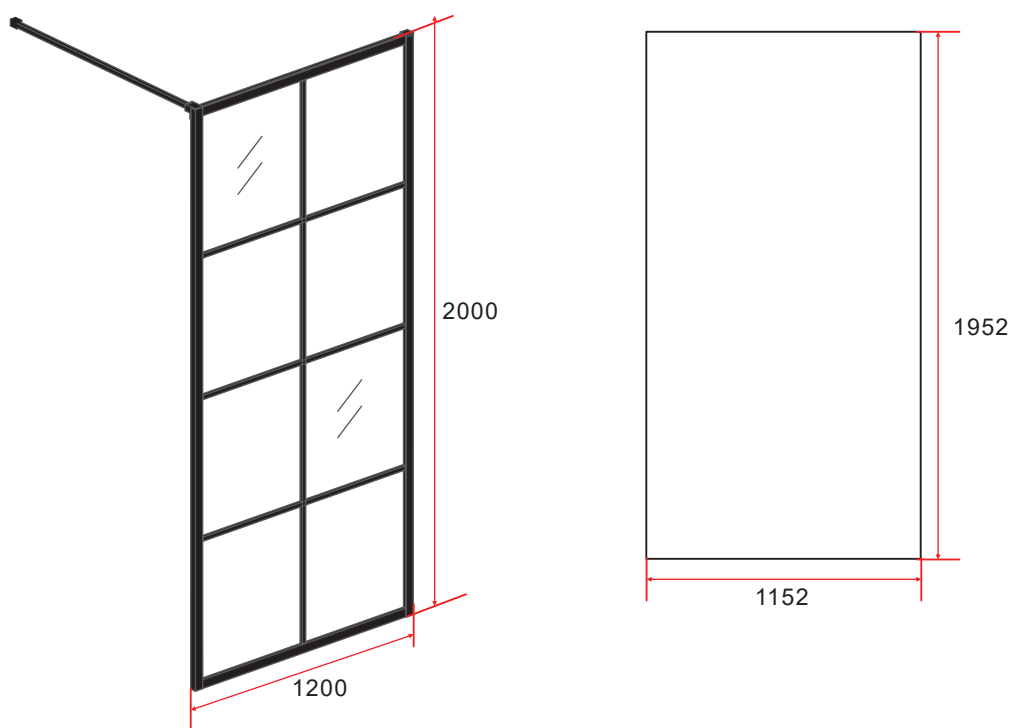
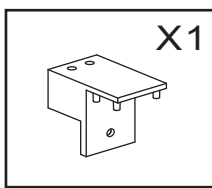
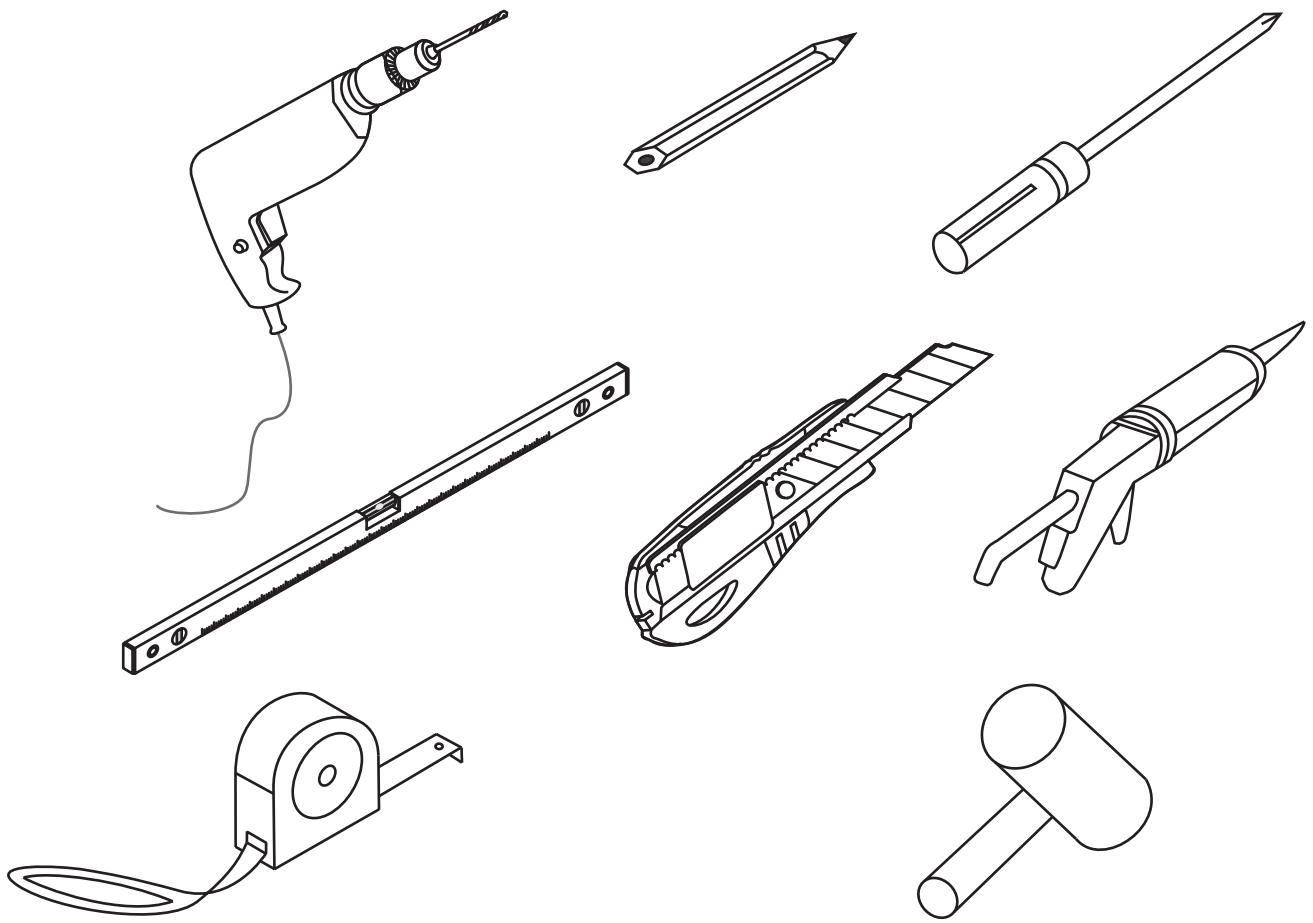


**1200x2000mm**

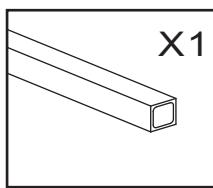


**TECHNICAL DRAWING**

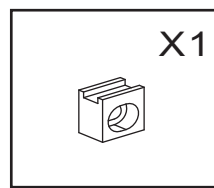




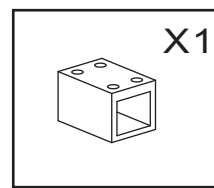
PJ-4230



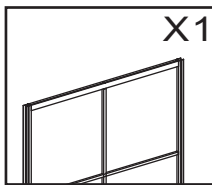
LG-04



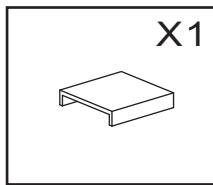
PJ-4207



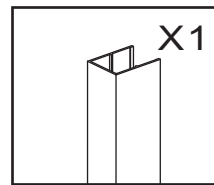
PJ-4206



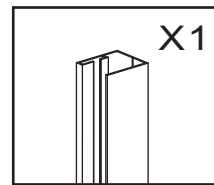
GLASS



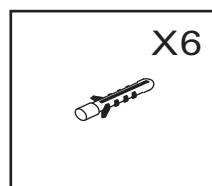
KQ-47cover



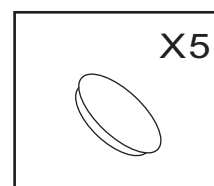
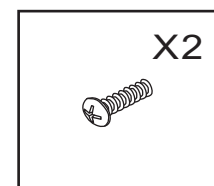
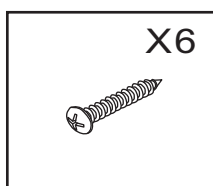
BK-25



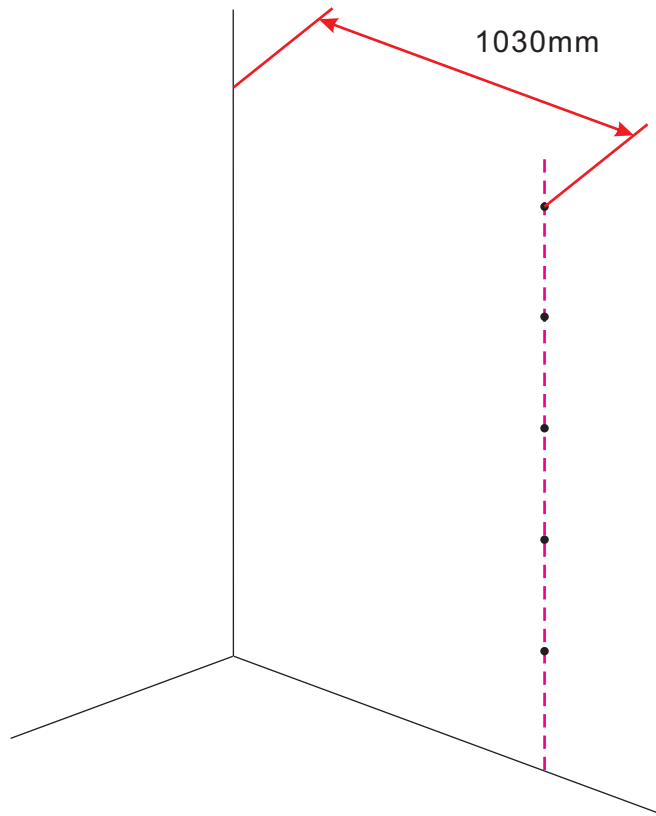
KQ-47



PJ-4606

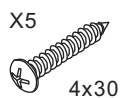
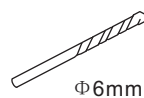
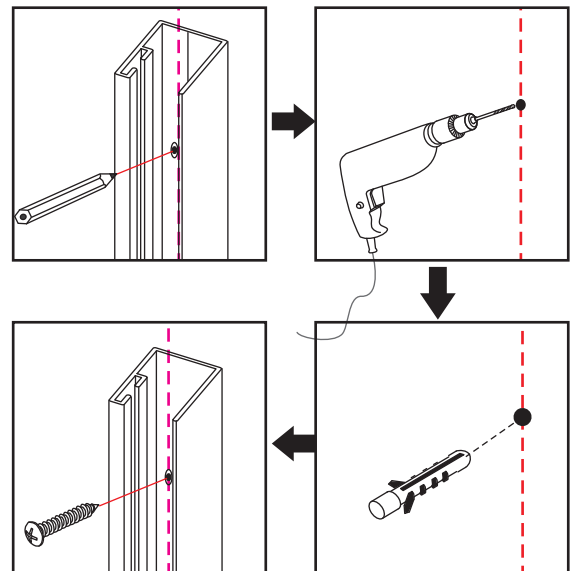
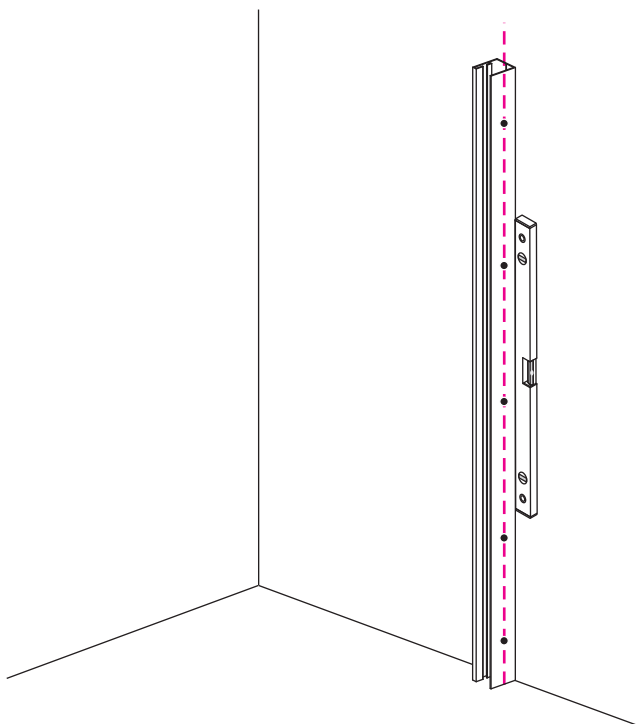


Drawing the install size.



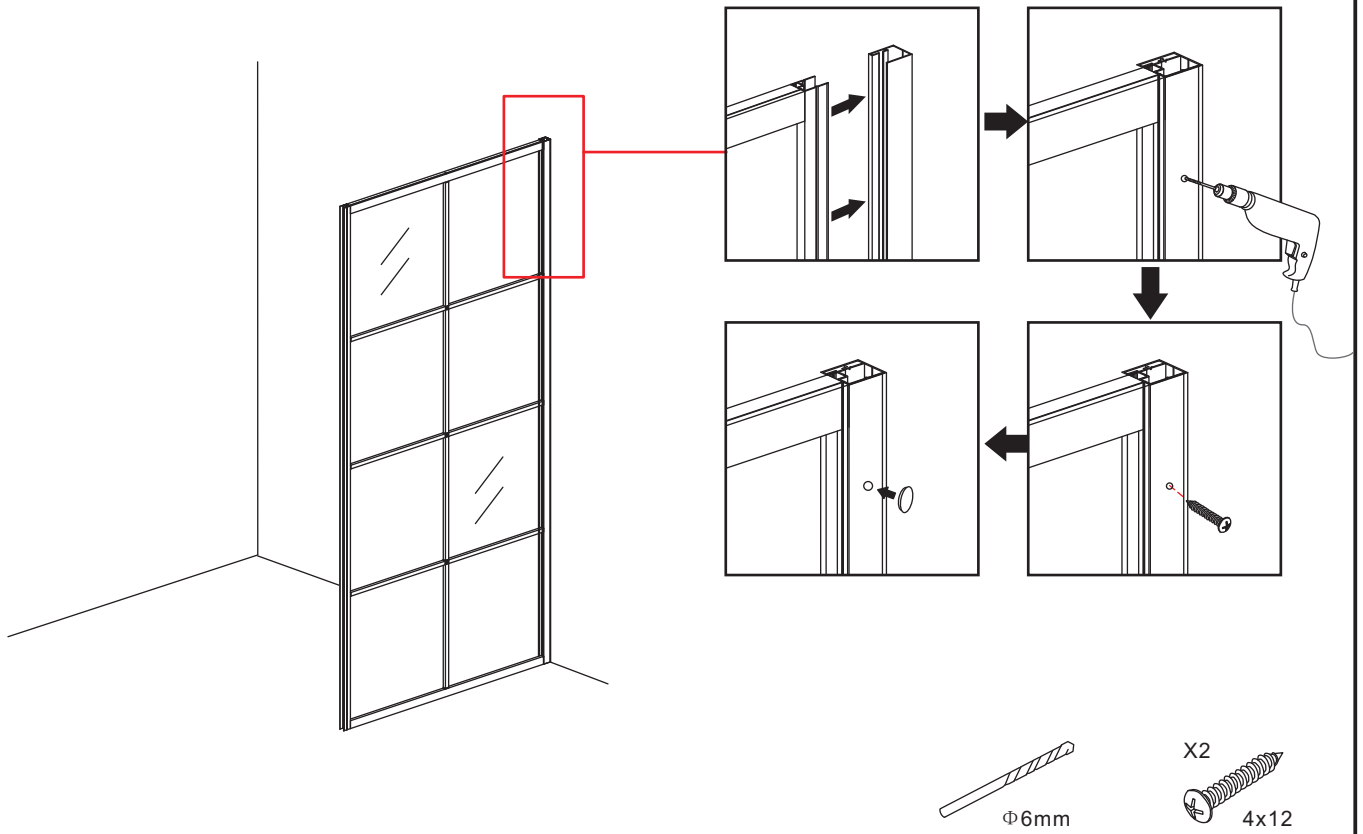
1

Install the wall profile.

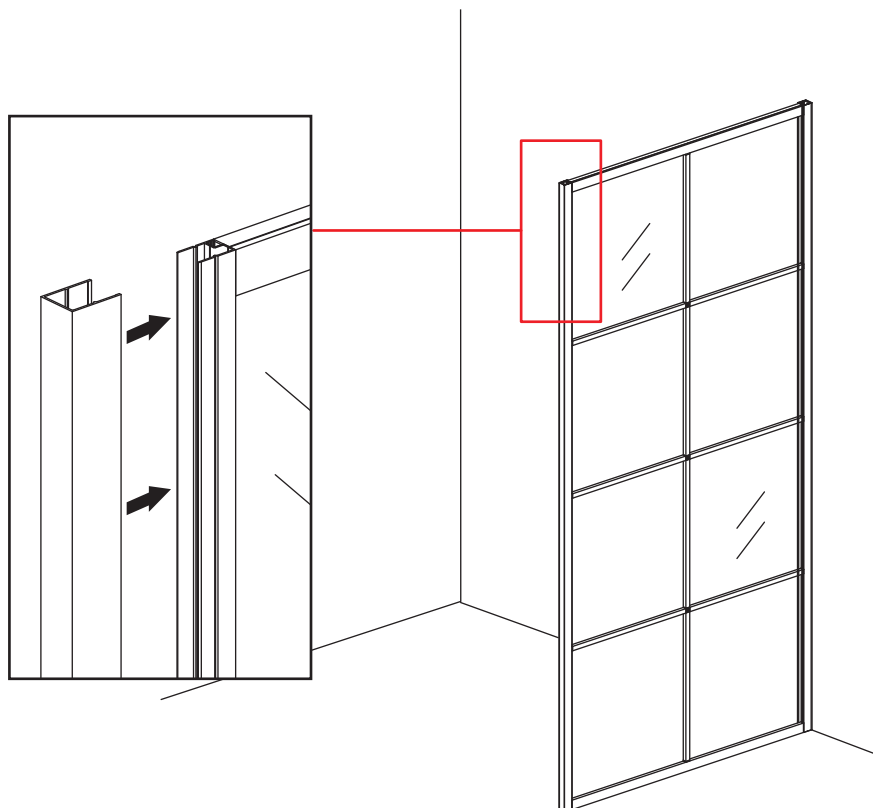


2

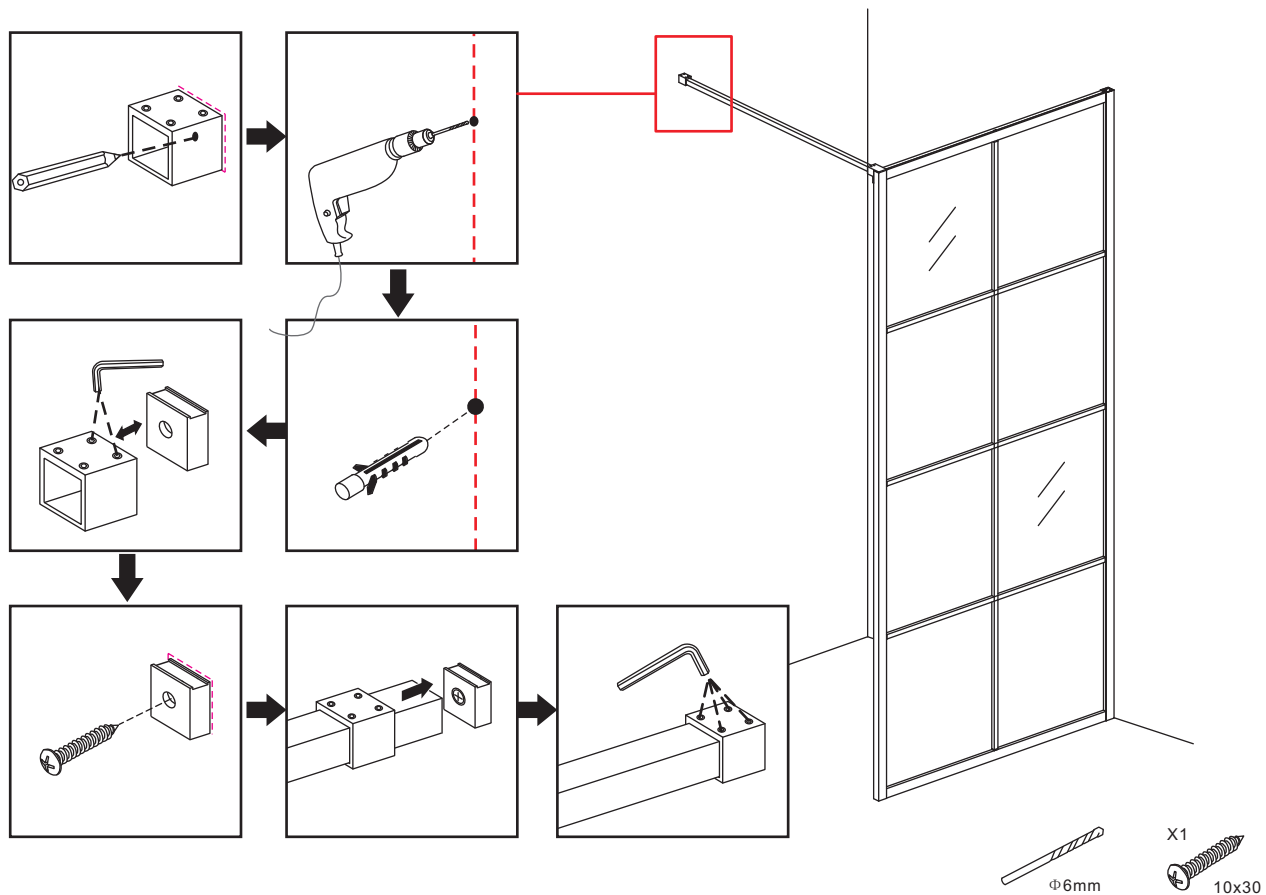
Install the fixed glass.



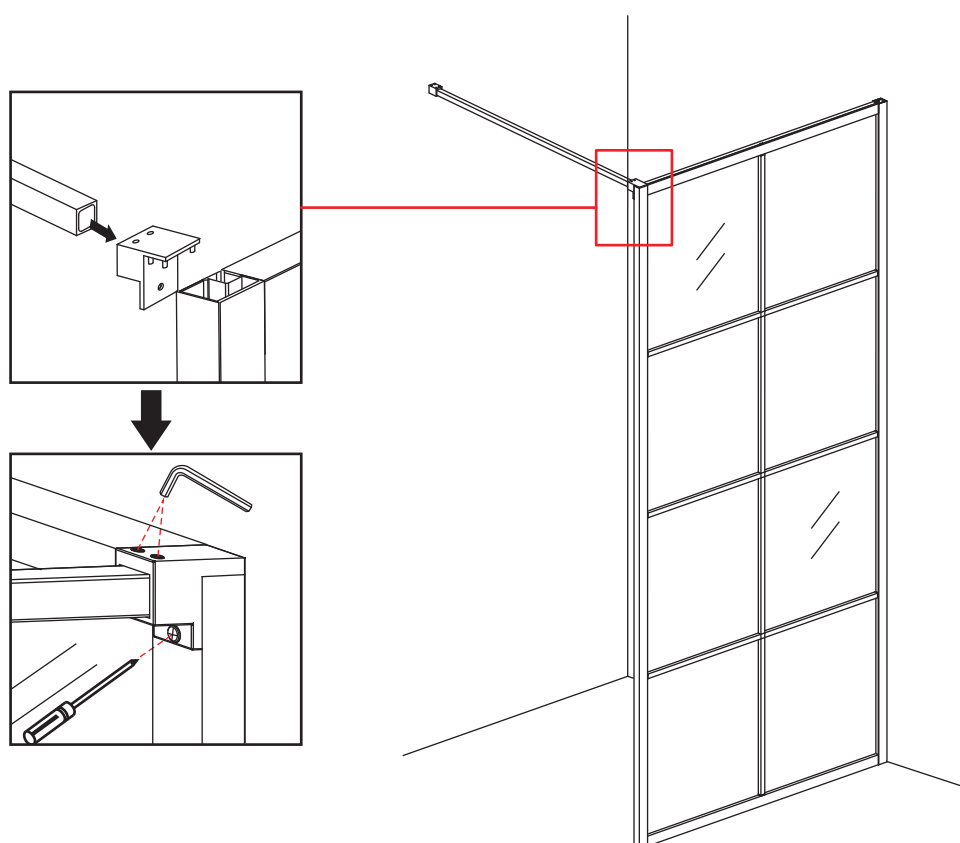
Install the frame profile of broadside fixed glass.



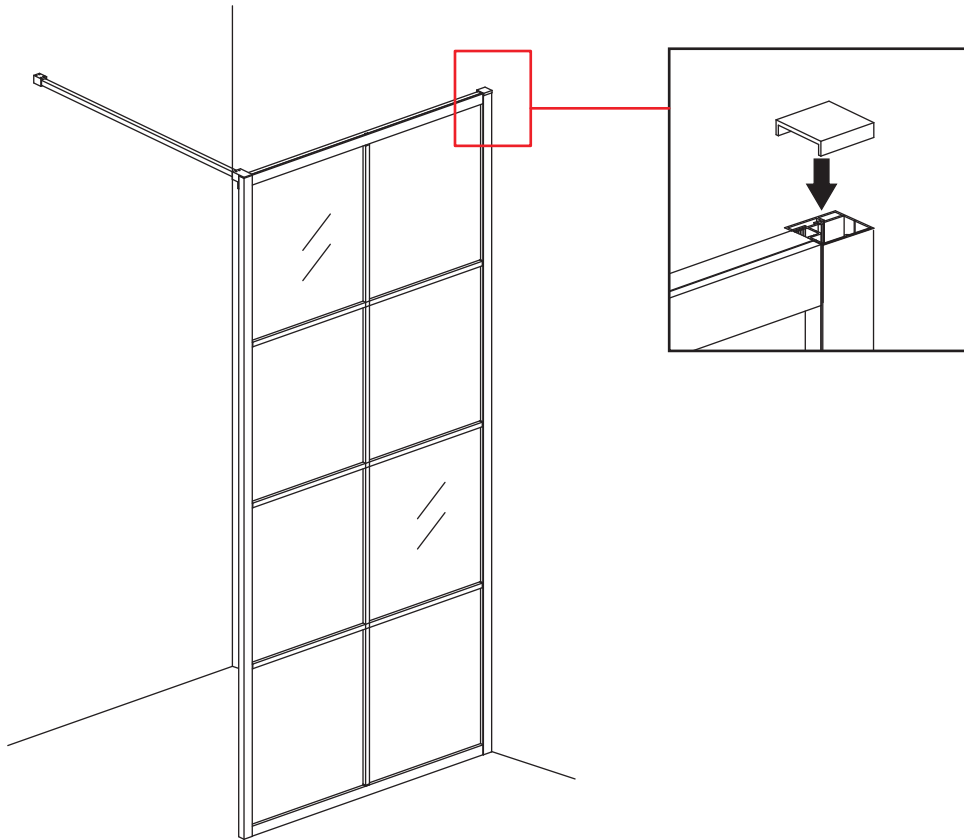
Install the support bar on the wall.



Install the support bar part on glass.

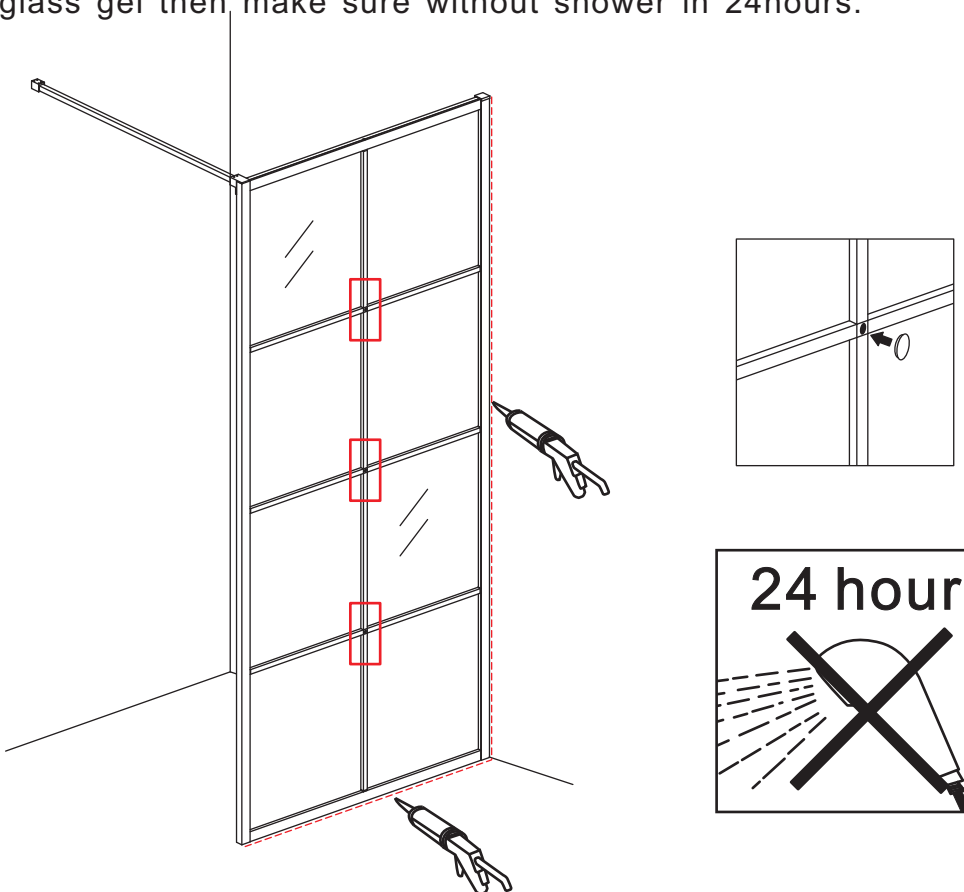


Install the top decorate part.



7

Make the glass gel then make sure without shower in 24hours.



8